



## VARISTO

Suspended luminaires

Make a strong statement in retail architecture and at the same time create highlighted room zones with wide-area general lighting. The VARISTO pendant luminaires fit into any conceivable room size and configuration as light, floating, circular or square contours. In several sizes, individually or creatively grouped into patterns and structures: VARISTO is an eye-catcher that inspires and transforms the design of retail spaces.



### Two geometries

Circular or square contour appear individually and arranged as a pattern



### Several sizes

**Round:** 600mm (6,000lm), 1000mm (10,000lm), 1500mm (15,000lm)

**Square:** 630mm (6,000lm), 1050mm (10,000lm), 1460mm (15,000lm)



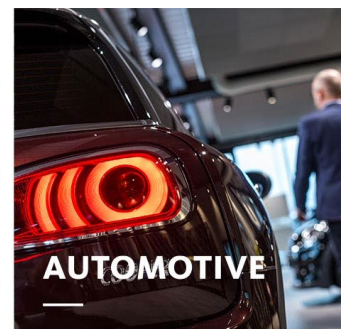
### Flexible suspension

Suspension installation on four ropes. Different pendulum lengths can be achieved using separate rope suspension sets.




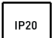

### Different light colours

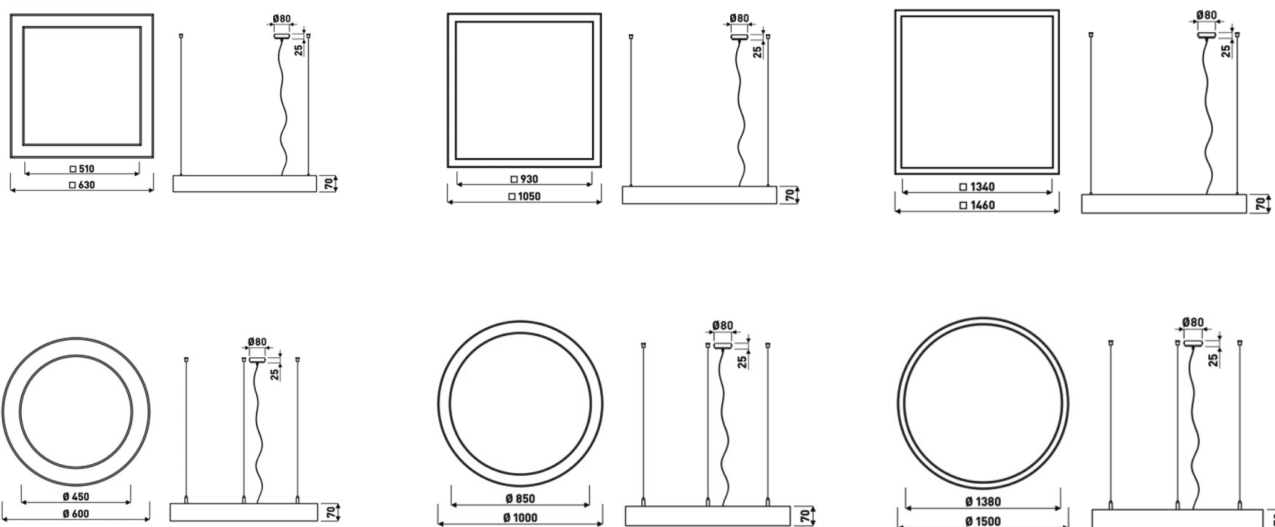
Available in warm white (830) and neutral white (840)



## VARISTO

[www.oktalite.com/varisto](http://www.oktalite.com/varisto)

Luminaire type	Suspended luminaires
Application areas	General ambient lighting, entrance areas
Range of action	rigid
Fastening	Extension, ceiling canopy
Pendulum length	1,500 mm - 6,000 mm
Size	Round: 600mm, 1,000mm, 1,500mm Square: 630mm, 1,050mm, 1,460mm
Lighting technology	LED
Beam angel	Lambersch
LED luminous flux class	6,000 lm - 15,000 lm
Light colour CRI 80	3000 K, 4000 K
Supply unit	Driver integrated in the luminaire profile
Luminaire colour	RAL 9005 jet black RAL 9016 traffic white Special colors on request
Surface	structure powder-coated
Nominal voltage	220 - 240 V, 50/60Hz
Weight	approx. 5.6 kg, approx. 12 kg, approx. 18 kg
Test mark	  



All technical data, weights and dimensions have been carefully compiled. Errors excepted. All dimensions in mm - LED service life data: L80/B10 at ambient temperature (ta) 25°C. Rated service life 50,000 h. Luminous flux and efficiency are subject to a tolerance of +/- 10% Min CRI Ra: >80 / >90- Product illustrations are examples and may differ from the original - We reserve the right to make changes in the interests of progress. - Oktalite Lichttechnik GmbH - Mathias-Brüggen-Straße 73 - 50829 Cologne - T 49 221 59767-0 - F 49 221 59767-40 - [mail@oktalite.com](mailto:mail@oktalite.com) - [www.oktalite.com](http://www.oktalite.com) - 24-07-05

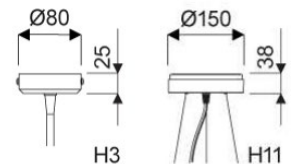
## VARISTO

Size	LED luminous flux class	Light color	CRI <sub>Ra</sub>	System luminous flux	System performance	Order number	
						white	black
∅ 600	6000 lm	3000 K	>80	5555 lm	51 W	10372409	10372410
∅ 600	6000 lm	4000 K	>80	5785 lm	51 W	10372411	10372412
∅ 1000	10000 lm	3000 K	>80	9720 lm	89 W	10372413	10372414
∅ 1000	10000 lm	4000 K	>80	10120 ch	89 W	10372415	10372416
∅ 1500	15000 lm	3000K	>80	14575 ch	134 W	10372417	10372418
∅ 1500	15000 lm	4000 K	>80	15185 ch	134 W	10372419	10372420

 Fastening

## Suspensions

Cable color	Transparent
Connection type	Ready to plug in
Light connection Socket	GST 18i3
Number of cable hangers	3



Fastening	Pendulum length	Order number	
		white	black
H3	1500mm	10155146	10155148
H3	3000mm	10155149	10155151
H3	6000mm	10155152	10155154
H11	1500mm	10155155	10155157
H11	3000mm	10155158	10155160
H11	6000mm	10155161	10155163



Lighting unit

oktalite

## VARISTO SQUARE

Size	LED luminous flux class	Light color	CRI <sub>Ra</sub>	System luminous flux	System performance	Order number	
						white	black
∅ 630	6000 lm	3000 K	>80	5665 lm	54 W	10372397	10372398
∅ 630	6000 lm	4000 K	>80	5920 lm	54 W	10372399	10372400
∅ 1050	10000 lm	3000 K	>80	9915 ch	95 W	10372401	10372402
∅ 1050	10000 lm	4000 K	>80	10355 lm	95 W	10372403	10372404
∅ 1460	15000 lm	3000K	>80	14160 lm	136 W	10372405	10372406
∅ 1460	15000 lm	4000 K	>80	14795 ch	136 W	10372407	10372408



Fastening

## Suspensions

Cable color	Transparent
Connection type	Ready to plug in
Light connection Socket	GST 15/5
Number of cable hangers	4

Fastening	Pendulum length	Order number	
		white	black
Structure	1500mm	10207324	10207326
Structure	3000mm	10207327	10207329
Structure	6000mm	10207330	10207332

Alle technischen Daten sowie Gewichts- und Maßangaben sind sorgfältig erstellt. Irrtum vorbehalten. Alle Maße in mm · LED Lebensdauerangaben: L80/B10 bei Umgebungstemperatur (ta) 25°C. Bemessungslebensdauer 50.000 h. Lichtstromangabe und Effizienz unterliegen einer Toleranz von +/- 10% Min CRI Ra: >80 / >90 · Produktabbildungen sind beispielhaft und können vom Original abweichen · Änderungen, die dem Fortschritt dienen, behalten wir uns vor · Oktalite Lichttechnik GmbH · Mathias-Brüggen-Straße 73 · 50829 Köln · T +49 221 59767-0 · F +49 221 59767-40 · [mail@oktalite.com](mailto:mail@oktalite.com) · [www.oktalite.com](http://www.oktalite.com) · 2024 – 07 - 02

